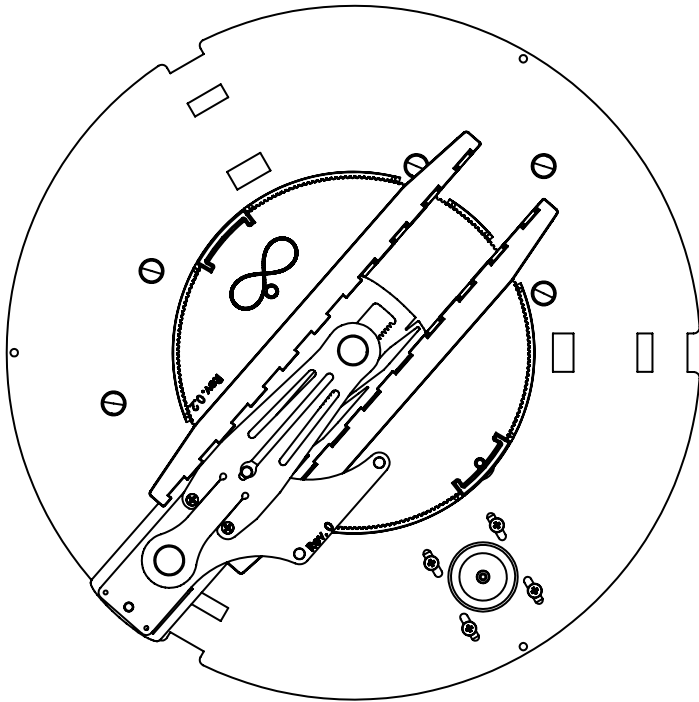




SISYPHUS



LE BOT REMOVAL & INSTALLATION

TUTORIAL



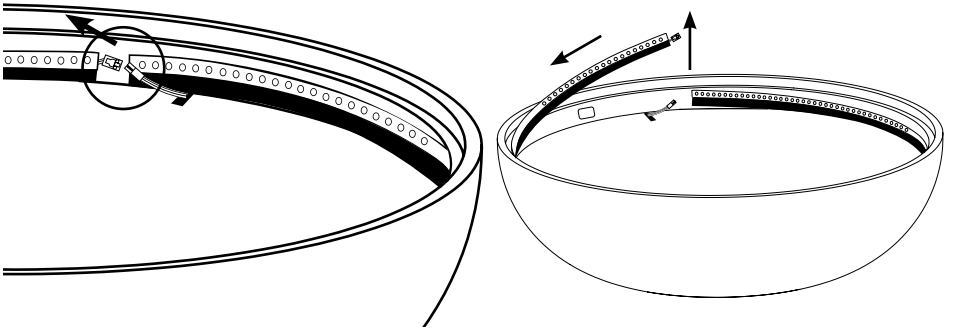
REMOVING THE BOT	1
SWAPPING THE SD CARD	2
INSTALLING THE BOT	3

For the latest version of this tutorial, additional tutorials, and troubleshooting, please go to:

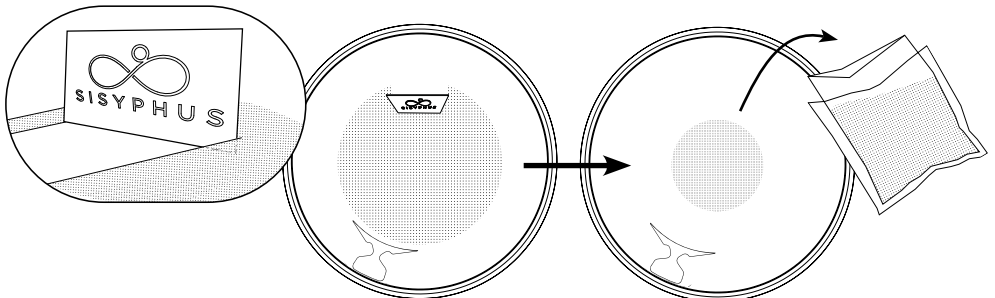
sisyphus-industries.com/support

REMOVING THE BOT

1. Unplug your Sisyphus Mini from your wall outlet.
2. Remove the glass top using the suction-cup that came with your Mini
3. Locate the start of the LED strip on the outer edge of the Mini
 - a. Unclip the LED strip and pull it out by firmly pulling at the strip from one end.
 - b. There is a strong double-sided tape holding the lights into place at several points around the Mini. Firmly but carefully pull on the light strip to peel off the adhesive.

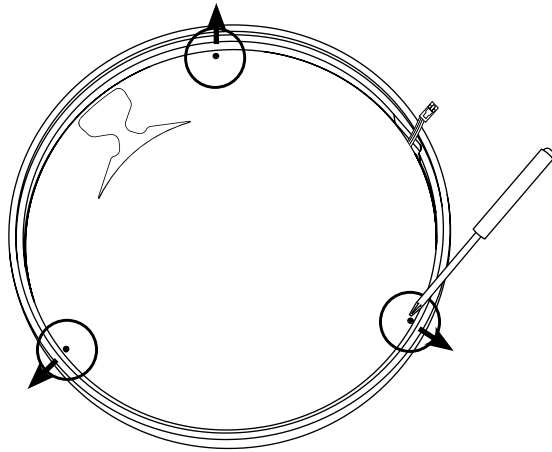


4. Remove the sand from your Mini; Using a piece of thick paper or cardstock, push the sand into a single pile in the center of your Mini and carefully scoop as much sand as you can into a plastic bag or container.

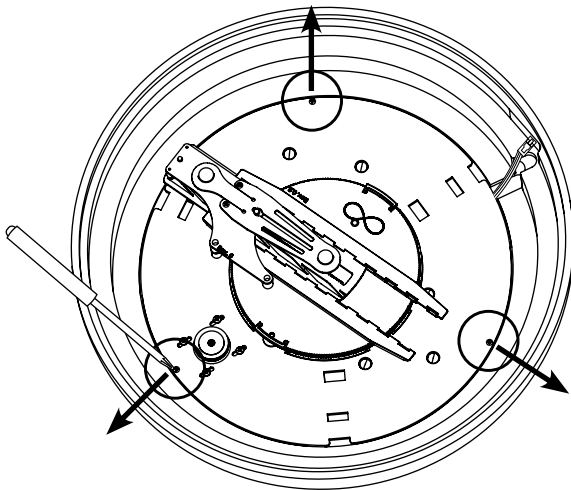


5. Using a Phillips screwdriver, unscrew the three screws from the top and remove the pan.

a. The fit may be tight, it is sometimes necessary to use a flat object to gently pull out the pan

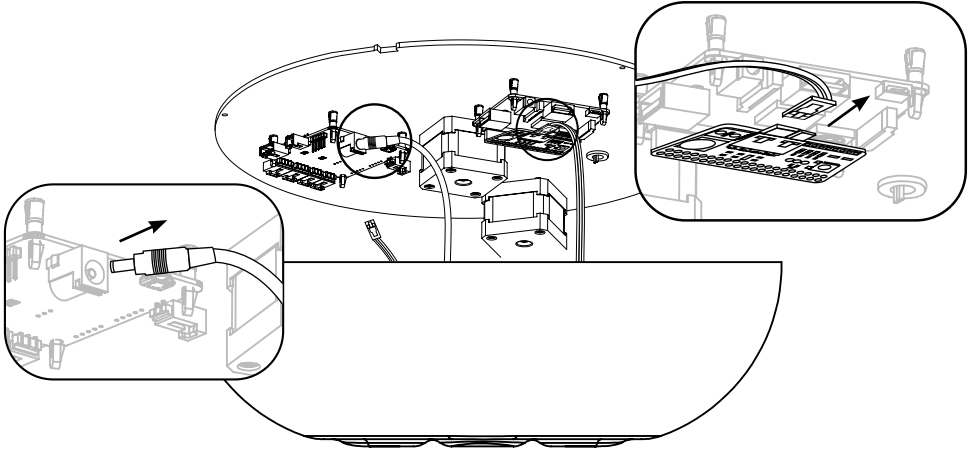


6. Using a Phillips screwdriver, unscrew the three screws securing the sisbot to the frame.



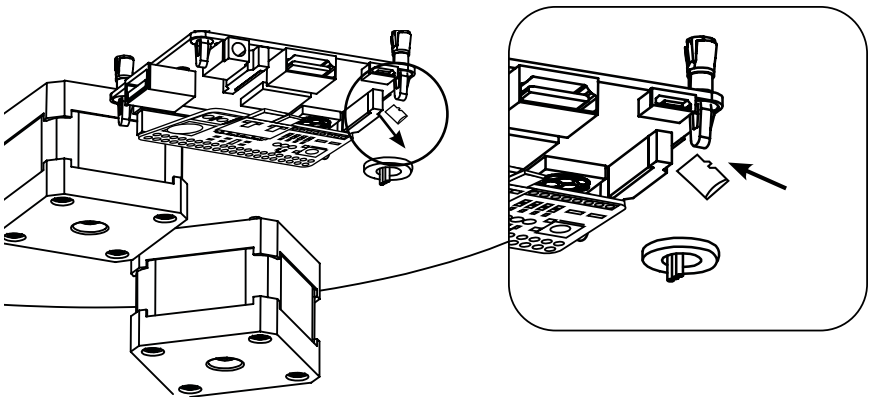
7. Carefully pull the sisbot from your Mini.

- a.** There will be two cables attaching the sisbot to the frame, unplug these cables to fully remove your sisbot.



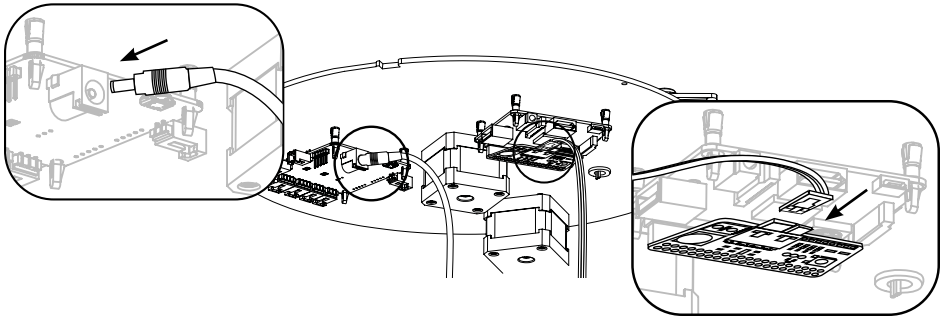
SWAPPING THE SD CARD

- 8.** If you are swapping the SD Card, do so now. Pull the old card from the green board and replace it with your new card.



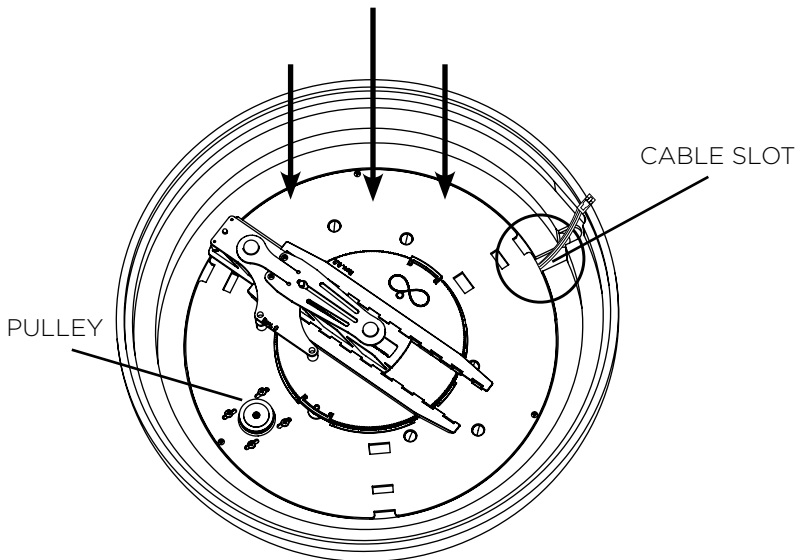
INSTALLING THE BOT

9. Plug the two cables into the sisbot as shown.

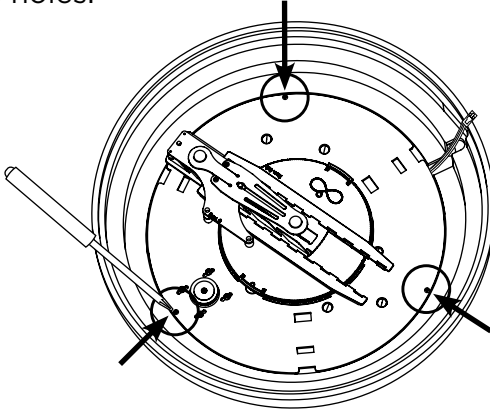


10. Place the sisbot into its original position, lining up the screw holes on the sisbot with the holes in the frame

- a.** Take time to make sure your sisbot matches the diagram below, making sure the pulley is opposite the cable slot.
- b.** Ensure all the wires are completely tucked under the sisbot before advancing to the next step.

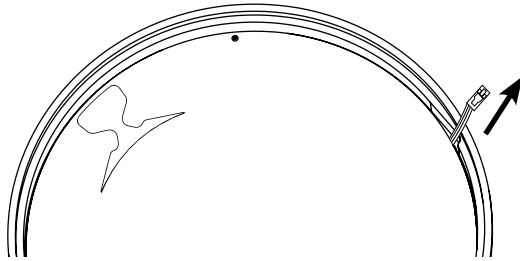


11. Using a Phillips screwdriver, firmly screw in three screws into the holes.

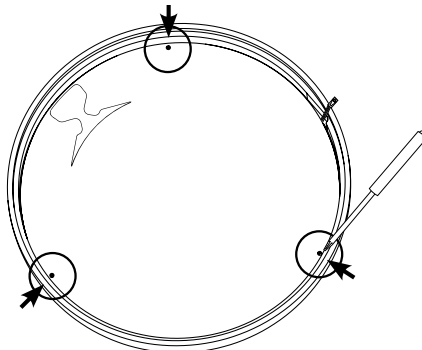


12. Place the pan back into the frame.

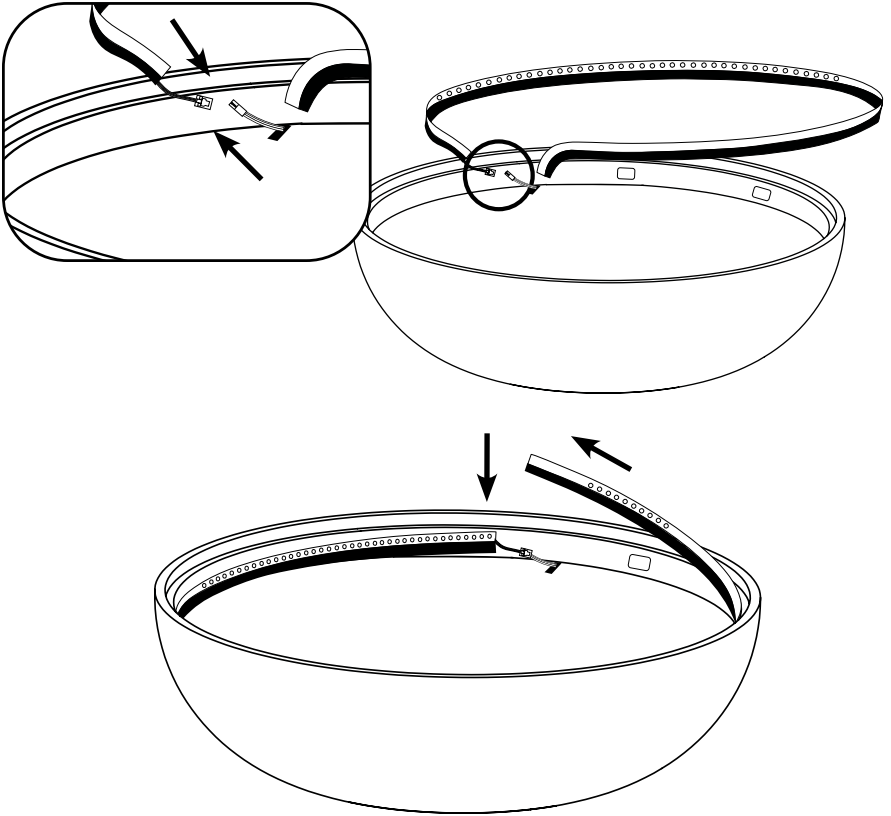
a. Run the wire through the slit in the pan, centering the pan slit on the notch in the bowl.



13. Using a Phillips screwdriver, firmly screw in three screws back into the original holes.



- 14.** Plug the led strip back into the Mini. Working counter-clockwise, press the led strip back into the outer edge of the Mini



- 15.** Replace and level the sand back onto your Mini.
- 16.** Place the original ball in the center of your Mini the smaller ball in the ball park.
- 17.** Plug your Sisyphus Mini into your wall outlet.
- 18.** Place the glass top using the suction-cup that came with your Mini, and enjoy!

For instructions on how to use your new
lights and ballpark, visit

sisyphus-industries.com/support

for the latest Mini manuals.

